

Definition

The «LEM Module LV 200-AW/SP3» is a transducer for the electronic measurement of voltages : DC, AC, IMPL., etc., with galvanic isolation between the primary (high power) and the secondary (electronic) circuits.

For voltage measurements, a current proportional to the measured voltage must be collected through an external resistor R1 which is selected by the user and installed in series with the primary circuit of the LV 200-AW/SP3.

Electrical data

Nominal current I_N	: 50 mA
Measuring range	: 0 to ± 100 mA
Measuring resistance	: R_M min. R_M max.
with ± 15 V at ± 50 mA max.	: 15 ohm 105 ohm
at ± 100 mA max.	: 15 ohm 40 ohm
Nominal analog output current	: 100 mA
Turns ratio	: 4000 : 2000
Overall accuracy at +25°C	: ± 0.5 % of I_N
Supply voltage	: + and - 15 V (± 5 %)
Double isolation (DI)	: between primary and secondary + ground-screen : 2 x 3.5 kV rms/50 Hz/1 min.
	: between secondary and ground-screen : 1 kV rms/50 Hz/1 min.

Accuracy - Dynamic performance

Zero offset current at +25°C	: max. ± 0.4 mA
Thermal drift of offset current	: typical ± 0.4 mA
(between -25°C and +70°C)	max. ± 0.6 mA
Linearity	: better than 0.1 %
Response time	: 20 to 50 μ s (L/R time constant, originated by the resistance and inductance of the primary circuit)

General data

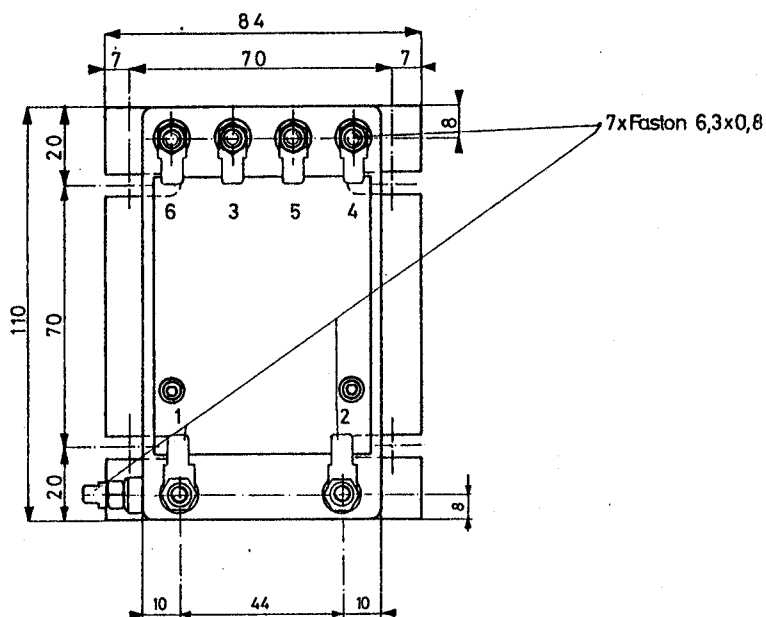
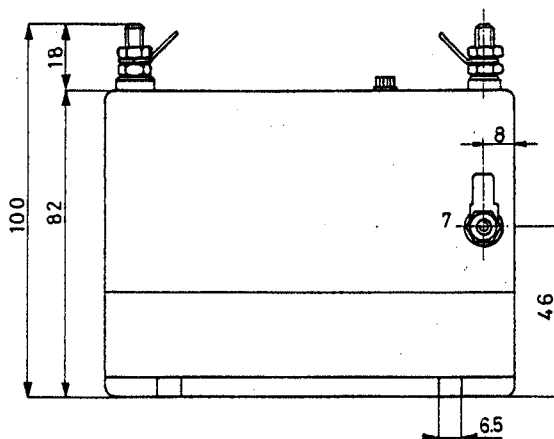
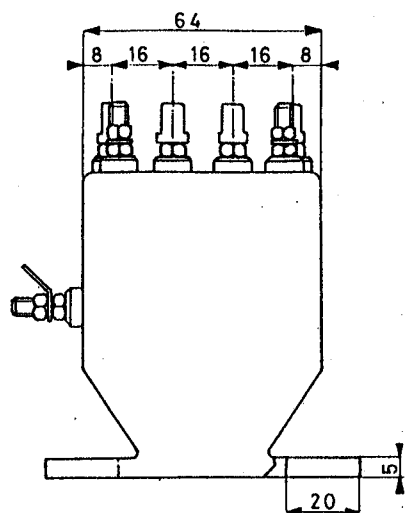
Operating temperature	: -25°C to +70°C
Storage temperature	: -40°C to +85°C
Current consumption	: 25 mA (at ± 15 V) + output current
Primary internal resistance	: 700 ohm (at +25°C)
Secondary internal resistance	: 25 ohm (at +70°C)
Package	: - potted into an insulated self-extinguishing plastic case - accessible electronic circuit - screen between primary and secondary circuit (connected on terminal E)
Weight	: 850 g
Fastening	: by base plate with 4 slots 6 mm dia., 70 x 70 mm between centers
Connection to primary circuits, secondary and double isolation	: on 7 Faston 6.3 x 0.8 mm
Polarity markings	: a positive output current is obtained on terminal M, when a positive current is applied on terminal + HT of the primary circuit

Particularities

- : - double isolation (DI) 2 x 3.5 kV rms/50 Hz/1 min.
- turns ratio 4000 : 2000
- supply voltage + and - 15 V (± 5 %)

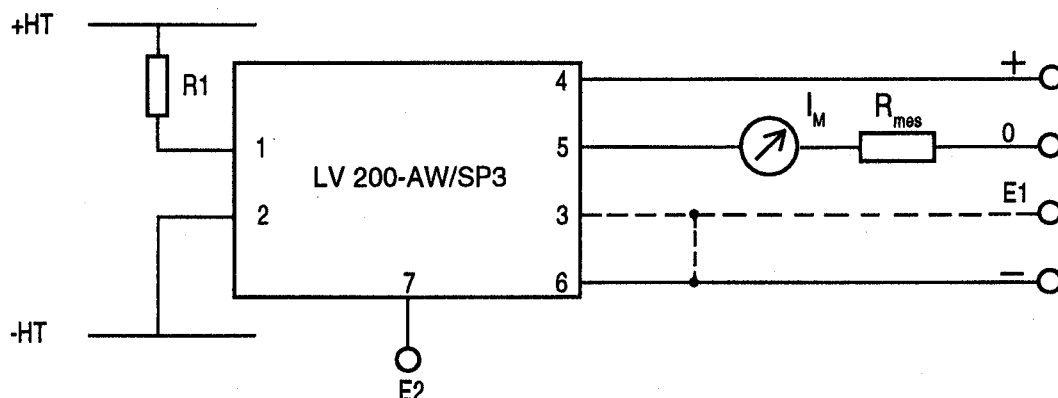
- internal secondary resistance 25 ohm (at +70°C)
- connections on Faston 6.3 x 0.8 mm

Dimensions LV 200-AW/SP3



- 1 : + primary
- 2 : - primary
- 3 : screen E1 (to be connected to ground or terminal -)
- 4 : + supply voltage
- 5 : measuring
- 6 : - supply voltage
- 7 : screen E2 (DI)

Connection :



«This data sheet is a translation of the French version which is deemed authentic.»

We reserve the right to carry out modifications on our transducers, in order to improve them, without previous notice.